

Instructions for the use - Installation advices

BUILT-IN COOKING HOBS

Model: EHS 732 S

**100% ELBA QUALITY
MADE IN ITALY**



ELBA
TALENT FOR COOKING



Made in Italy

Dear Customer,

Thank you for having purchased and given your preference to our product.

The safety precautions and recommendations reported below are for your own safety and that of others. They will also provide a means by which to make full use of the features offered by your appliance.

Please preserve this booklet carefully. It may be useful in future, either to yourself or to others in the event that doubts should arise relating to its operation.

This appliance must be used only for the task it has explicitly been designed for, that is for cooking foodstuffs. Any other form of usage is to be considered as inappropriate and therefore dangerous.

The manufacturer declines all responsibility in the event of damage caused by improper, incorrect or illogical use of the appliance.

IMPORTANT SAFETY PRECAUTIONS AND RECOMMENDATIONS

IMPORTANT: This appliance is designed and manufactured solely for the cooking of domestic (household) food and is not suitable for any non domestic application and therefore should not be used in a commercial environment.

The appliance guarantee will be void if the appliance is used within a non domestic environment i.e. a semi commercial, commercial or communal environment.

Read the instructions carefully before installing and using the appliance.

- After having unpacked the appliance, check to ensure that it is not damaged.
In case of doubt, do not use it and consult your supplier or a professionally qualified technician.
- Packing elements (i.e. plastic bags, polystyrene foam, nails, packing straps, etc.) should not be left around within easy reach of children, as these may cause serious injuries.
- Some appliances are supplied with a protective film on steel and aluminium parts. **This film must be removed before using the appliance.**
- **IMPORTANT:** The use of suitable protective clothing/gloves is recommended when handling or cleaning this appliance.
- Do not attempt to modify the technical characteristics of the appliance as this may become dangerous to use. The manufacturer declines all responsibility for any inconvenience resulting from the inobservance of this condition.
- **CAUTION:** this appliance must only be installed in a permanently ventilated room in compliance with the applicable regulations.
- Do not carry out cleaning or maintenance operations on the appliance without having previously disconnected it from the electric power supply.
- Do not use a steam cleaner because the moisture can get into the appliance therefore making it unsafe.

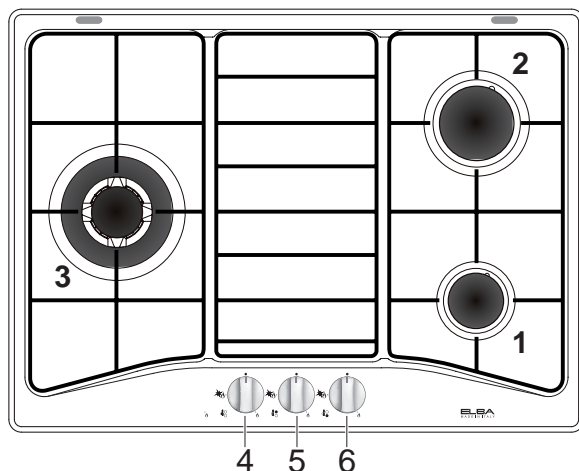
- Do not touch the appliance with wet or damp hands (or feet).
- Do not use the appliance whilst in bare feet.
- If you should decide not to use this appliance any longer (or decide to substitute another model), before disposing of it, it is recommended that it be made inoperative in an appropriate manner in accordance to health and environmental protection regulations, ensuring in particular that all potentially hazardous parts be made harmless, especially in relation to children who could play with unused appliances.
- The various components of the appliance are recyclable. Dispose of them in accordance with the regulations in force in your country. If the appliance is to be scrapped, remove the power cord.
- After use, ensure that the knobs are in the off position.
- Children less than 8 years of age shall be kept away unless continuously supervised.
- This appliance can be used by children aged from 8 years and above and persons with reduced physical, sensory or mental capabilities or lack of experience and knowledge if they have been given supervision or instruction concerning use of the appliance in a safe way and understand the hazards involved. Children shall not play with the appliance. Cleaning and user maintenance shall not be made by children without supervision.
- The manufacturer declines all liability for injury to persons or damage to property caused by incorrect or improper use of the appliance.
- **WARNING:** During use the appliance and its accessible parts become hot; they remain hot for some time after use.
 - Care should be taken to avoid touching heating elements on the hob.
 - To avoid burns and scalds, young children should be kept away.
- Make sure that electrical cables connecting other appliances in the proximity of the cooktop cannot come into contact with the hob.

- **WARNING:** Unattended cooking on a hob with fat or oil can be dangerous and may result in fire. NEVER try to extinguish a fire with water, but switch off the appliance and then cover flame e.g. with a lid or a fire blanket.
- **WARNING:** Danger of fire: do not store items on the cooking surfaces.
- **WARNING:** When correctly installed, your product meets all safety requirements laid down for this type of product category. However special care should be taken around the underneath of the appliance as this area is not designed or intended to be touched and may contain sharp or rough edges, that may cause injury.
- **CAUTION:** The cooking process has to be supervised. A short term cooking process has to be supervised continuously.
- If the power supply cable is damaged, it must be replaced only by an authorized service agent in order to avoid a hazard.

1

FEATURES AND TECHNICAL DATA

Fig. 1.1



GAS BURNERS

- | | |
|----------------------------|---------|
| 1. Semirapid burner (SR) | 1,75 kW |
| 2. Rapid burner (R) | 3,00 kW |
| 3. Triple ring burner (TR) | 3,50 kW |

CONTROL PANEL DESCRIPTION

4. Left burner control knob
5. Rear right burner control knob
6. Front right burner control knob

NOTE:

- The electric ignition is incorporated in the knobs.
- The models has a safety valve system fitted, the flow of gas will be stopped if and when the flame should accidentally go out.

CAUTION:

If the burner is accidentally extinguished, turn the gas off at the control knob and wait at least 1 minute before attempting to relight.

CAUTION:

Gas hobs produce heat and humidity in the environment in which they are installed. Ensure that the cooking area is well ventilated by opening the natural ventilation grilles or by installing an extractor hood connected to an outlet duct.

CAUTION:

If the hob is used for a prolonged time it may be necessary to provide further ventilation by opening a window or by increasing the suction power of the extractor hood (if fitted).




2

HOW TO USE THE COOKTOP

GAS BURNERS

Gas flow to the burners is adjusted by turning the knobs (illustrated in fig. 2.1) which control the safety valves.

Turning the knob, so that the indicator line points to the symbols printed on the panel, achieves the following functions:

- symbol  closed valve
- symbol  maximum aperture or flow
- symbol  minimum aperture or flow

- √ The maximum aperture position permits rapid boiling of liquids, whereas the minimum aperture position allows slower warming of food or maintaining boiling conditions of liquids.
- √ To reduce the gas flow to minimum rotate the knob further anti-clockwise to point the indicator towards the small flame symbol.
- √ Other intermediate operating adjustments can be achieved by positioning the indicator between the maximum and minimum aperture positions, and never between the maximum aperture and closed positions.

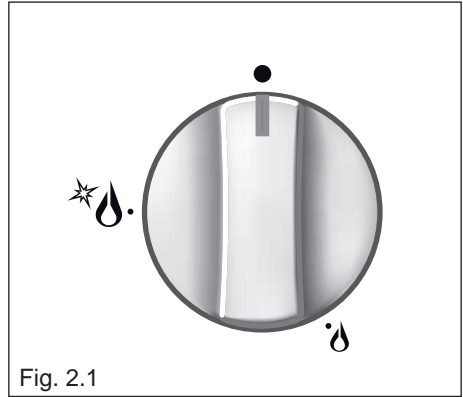


Fig. 2.1


The ignition device shall not be operated for more than 15 seconds. If after 15 seconds the burner has not lit, stop operating the device and open the compartment door of the cabinet underneath (if available) and/or wait at least 1 minute before attempting a further ignition of the burner.

N.B. When the cooktop is not being used, set the gas knobs to their closed positions and also close the cock valve on the gas bottle or the main gas supply line.


Caution!
The cooking hob becomes very hot during operation.
Keep children well out of reach.

LIGHTING THE BURNERS

To ignite the burner, the following instructions are to be followed:

1. Press in the corresponding knob and turn counter-clockwise (fig. 2.2) to the full flame position marked by the  symbol (fig. 2.1); hold the knob in until the flame has been lit.
In the case of a mains failure light the burner with a match or lighted taper.
2. Wait for a few seconds after the gas burner has been lit before letting go of the knob (valve activation delay).
3. Adjust the gas valve to the desired position.

If the burner flame should go out for some reason, the safety valve will automatically stop the gas flow.

To re-light the burner, return the knob to the closed  position, wait for at least **1 minute** and then repeat the lighting procedure.

Note: If your local gas supply makes it difficult to light the burner with the knob set to maximum, set the knob to minimum and repeat the operation.

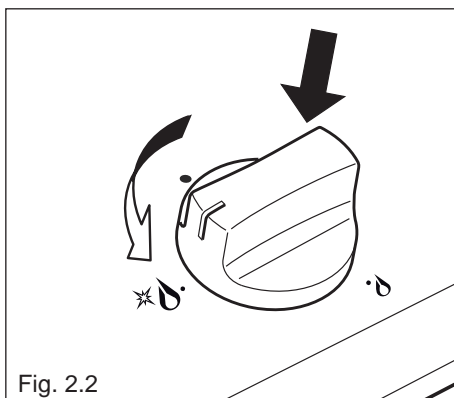


Fig. 2.2

CHOICE OF THE BURNER

On the control panel, near every knob there is a diagram that indicates which burner is controlled by that knob.

The suitable burner must be chosen according to the diameter and the capacity used.

As an indication, the burners and the pots must be used in the following way:

DIAMETERS OF PANS WHICH MAY BE USED ON THE BURNERS

BURNERS	MINIMUM	MAXIMUM
Semi-rapid	12 cm	22 cm
Rapid	24 cm	26 ⁽¹⁾ cm
Triple-ring	26 cm	28 cm
Wok	Max 36 cm	

do not use pans with concave or convex bases

(1): with glass lid - centre rear burner maximum diameter 24 cm

It is important that the diameter of the pot be suitable to the potentiality of the burner so as not to compromise the high output of the burners and therefore energy waste. A small pot on a large burner does not give you a boiling point in a shorter amount of time since the capacity of heat absorption of a liquid mass depends on the volume and the surface of the pot.

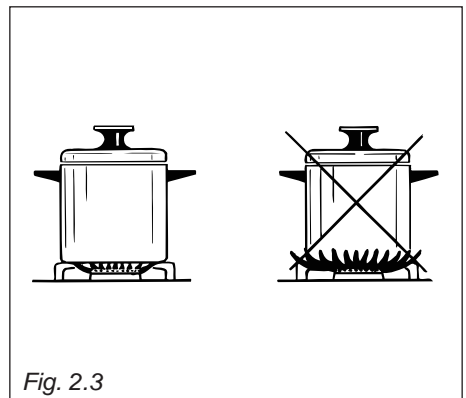


Fig. 2.3

SPECIAL WOK GRILLE

(figs. 2.4a - 2.4b)

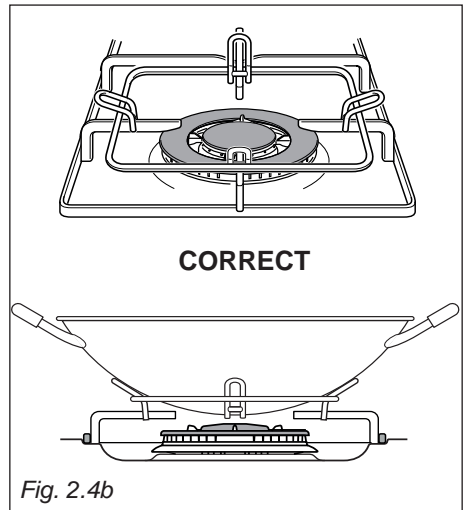
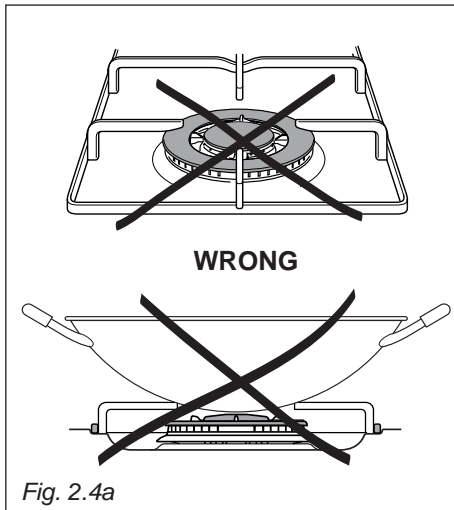
This special grille for woks should be placed over the pan-rest for the triple ring burner.

Warning:

- Using woks without this special grille may cause the burner to malfunction.
- Do not use the grille for ordinary, flat-bottomed saucepans.

IMPORTANT:

The special grille for wok pans **MUST BE PLACED ONLY** over the pan-rest for the triple-ring burner.



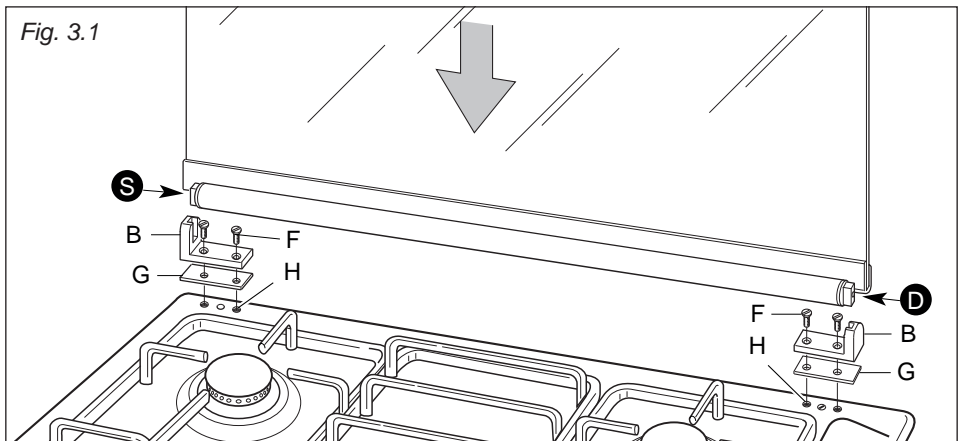
3

CLEANING AND MAINTENANCE

GLASS LID - optional

INSTALLATION OF THE GLASS LID

1. Remove gently the 2 hole-cover plates (**T**) from the rear edge of the cooking hob, being careful not to chip the enamel (fig. 3.2).
2. Thread the 4 holes (**H**) with the screws (**F**) (fig. 3.1). Lubricate the screws with an oil drop to make easy the screwing.
3. Insert the gaskets (**G**) under each hinge support (fig. 3.1).
4. House the right and left (**B**) hinge supports, then fasten by the screws (**F**).
5. Slip on the hinges on the side housings of the rear profile.
IMPORTANT: in the right housing we have to insert the hinge marked "**D**", while in the left housing we have to insert the hinge marked "**S**".
6. Assemble the lid by inserting the hinges on the two supports.



SET THE CORRECT BALANCE

- Close the lid and check the correct balance; if laid on 45° position it should stay hanging. If necessary, set the calibration of the hinge springs operating on the screws (R) (fig. 3.3).

COOKING HOBS WITH GLASS LID (optional)



Do not shut lid when burner alight.

ATTENTION

- ✓ Do not lower the glass lid when the gas burner or electrical plates are still hot and when the oven, installed below the cooking hob, is on or still hot.
- ✓ Do not lay on the glass lid hot pans and heavy kitchen utensils.
- ✓ Dry off any liquid which may have spilt on the cover before opening it.

CLEANING

- To clean, it is easy to remove the lid by pulling it upwards once it is fully open. If the hinges ought to slip out, see to set them again following the instructions.

IMPORTANT: in the right housing we have to insert the hinge marked "D", while in the left housing we have to insert the hinge marked "S" (fig. 3.1).

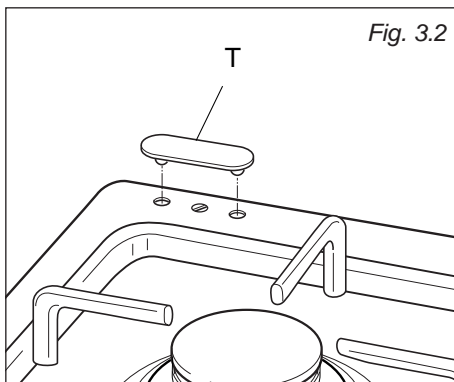


Fig. 3.2

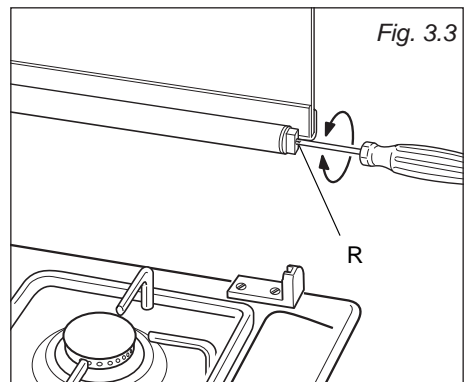


Fig. 3.3

GENERAL ADVICE

- Before you begin cleaning, you must ensure that the appliance is switched off and disconnected from the electrical power supply.
- **Important:** The use of suitable protective clothing/gloves is recommended when handling or cleaning of this appliance.
- Under no circumstances should any external covers be removed for servicing or maintenance except by suitable qualified personnel.
- It is advisable to clean when the appliance is cold and especially when cleaning the enamelled parts.
- Be very careful that no water penetrates inside the appliance.
- Avoid leaving alkaline or acidic substances (lemon juice, vinegar, etc.) on the surfaces.
- Avoid using cleaning products with a chlorine or acidic base.
- **Do not use a steam cleaner because the moisture can get into the appliance thus make it unsafe.**

WARNING! When correctly installed, your product meets all safety requirements laid down for this type of product category. However special care should be taken around the underneath of the appliance as this area is not designed or intended to be touched and may contain sharp or rough edges, that may cause injury.

ENAMELLED SURFACES

All the enamelled parts must be cleaned with a sponge and soapy water only or other non-abrasive products. Dry preferably with a microfibre or soft cloth.

If acid substances such as lemon juice, tomato conserve, vinegar etc. are left on the enamel for a long time they will etch it, making it opaque.

STAINLESS STEEL SURFACES

Stainless steel parts must be rinsed with water and dried with a soft and clean cloth.

For persistent dirt, use specific non-abrasive products available commercially or a little hot vinegar.

PAINTED PARTS AND SILKSCREEN PRINTED SURFACES

Clean using an appropriate product. Always dry thoroughly.

IMPORTANT: these parts must be cleaned very carefully to avoid scratching and abrasion. You are advised to use a soft cloth and neutral soap.

CAUTION: Do not use abrasive substances or non-neutral detergents as these will irreparably damage the surface.

GAS TAPS

Periodic lubrication of the gas taps must be carried out by specialist personnel only.

In the event of operating faults in the gas taps, call the Service Department.

BURNERS AND PAN SUPPORTS

These parts can be removed and cleaned with appropriate products.

After cleaning, the burners and their flame spreaders must be well dried and correctly replaced.

It is very important to check that the burner flame spreader and the cap have been correctly positioned. Failure to do so can cause serious problems.

Check that the electrode "S" (figs. 3.4, 3.6) next to each burner is always clean to ensure trouble-free sparking.

Check that the probe "T" (figs. 3.4, 3.6) next to each burner is always clean to ensure correct operation of the safety valves.

Both the probe and ignition plug must be very carefully cleaned.

Note: To avoid damage to the electric ignition do not use it when the burners are not in place.

CORRECT REPLACEMENT OF THE SEMI-RAPID AND RAPID BURNERS

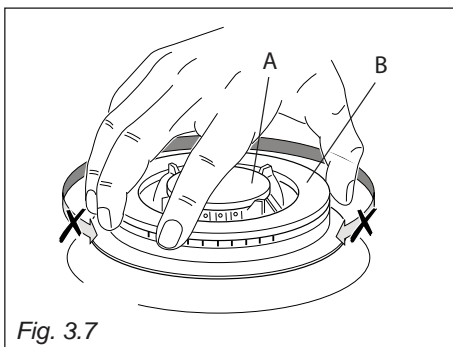
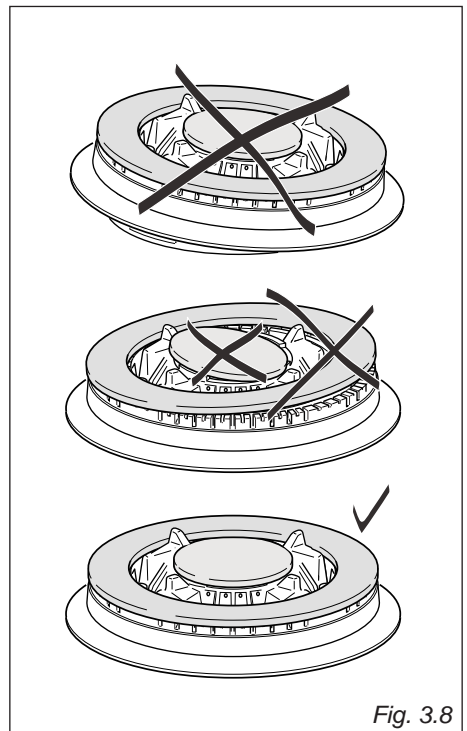
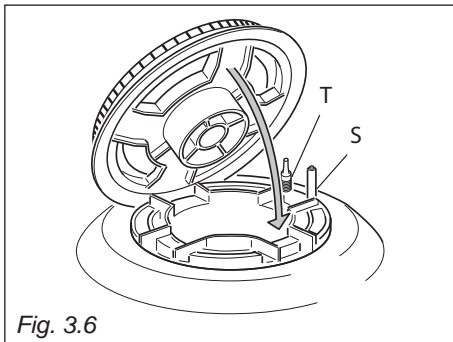
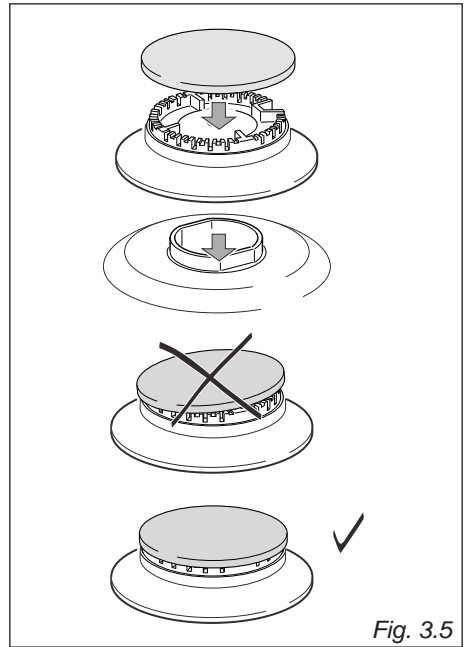
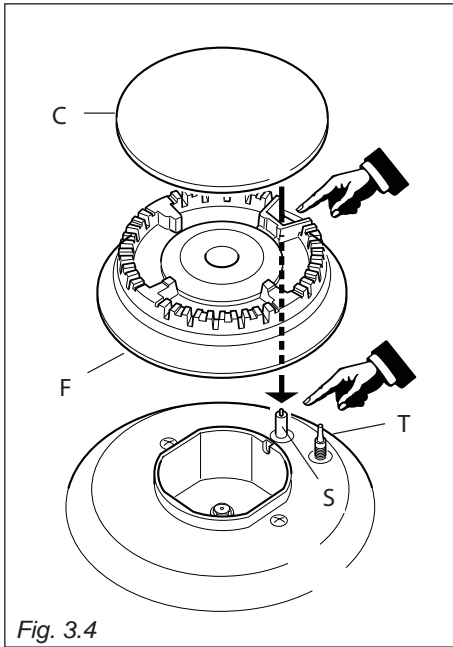
It is very important to check that the burner flame distributor "F" and the cap "C" have been correctly positioned (see figs. 3.4, 3.5) - failure to do so can cause serious problems.

CORRECT REPLACEMENT OF THE TRIPLE RING BURNER

The triple ring burner must be correctly positioned (see fig. 3.8); the burner rib must be enter in their logement as shown by the arrow (see fig. 3.6).

The burner correctly positioned must not rotate (fig. 3.7).

Then position the cap "A" and the ring "B" (figs. 3.7, 3.8).



Advice for the installer

IMPORTANT :

- This appliance must be installed in accordance with these installation instructions.
- This appliance is to be installed, regulated and adapted to function only by an authorised person in compliance with the current local regulations in force and in observation of the instructions supplied by the manufacturer.
Failure to comply with this condition will render the guarantee invalid.
- Installation technicians must comply to current laws in force concerning ventilation and the evacuation of exhaust gases.
- Incorrect installation, for which the manufacturer accepts no responsibility, may cause personal injury or damage.
- This appliance shall only be serviced by authorised personnel.
- Important: The use of suitable protective clothing/gloves is recommended when handling or cleaning of this appliance.
- Always disconnect the appliance from mains power supply before carrying out any maintenance operations or repairs.

- **These tops are designed to be embedded into kitchen fixtures measuring 600 mm in depth.**
- **The appliance must be housed in heat-resistant units.**
- **The walls of the units must not be higher than work top and must be capable of resisting temperatures of 75 °C above room temperature.**
- **We would point out that the adhesive which bonds the plastic laminate to the furniture must withstand temperatures not less than 150°C to avoid delamination.**
- **Do not install the appliance near inflammable materials (eg. curtains).**

WARNING!

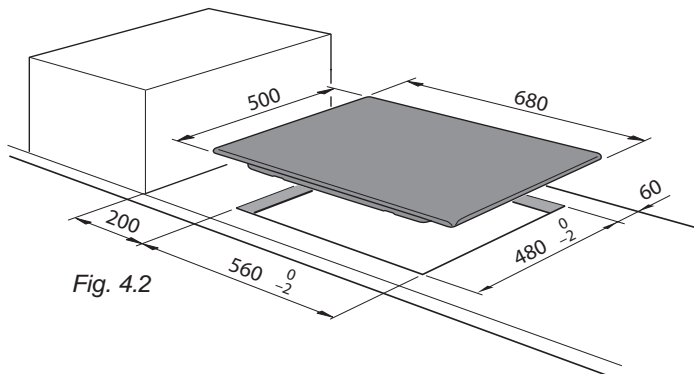
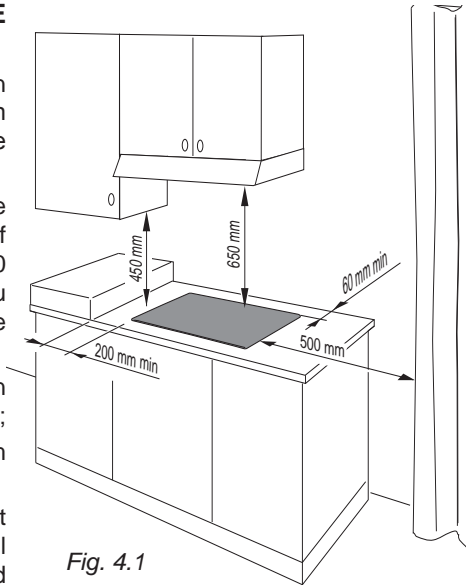
When correctly installed, your product meets all safety requirements laid down for this type of product category. However special care should be taken around the underneath of the appliance as this area is not designed or intended to be touched and may contain sharp or rough edges, that may cause injury.

4 INSTALLATION

TECHNICAL INFORMATION FOR THE INSTALLER

In order to install the cooker top into the kitchen fixture, a hole with the dimensions shown in fig. 4.2 has to be made, bearing in mind the following:

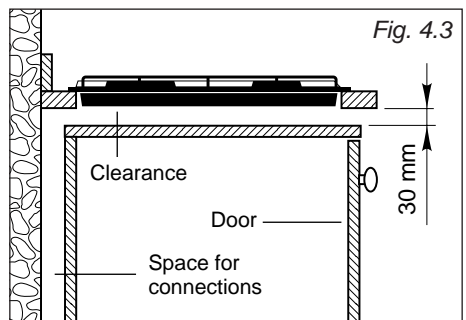
- within the unit, between the bottom of the cooktop and the upper surface of a shelf there must be a clearance of at least 30 mm. It is absolutely essential that you place a separator between the base of the cooktop and the built-in unit or the oven;
- the cooker top must be kept no less than 200 mm away from any side wall (fig. 4.2);
- the hob must be installed at least 60 mm from the wall;
- there must be a distance of at least 650 mm between the hob and any wall cupboard or extractor hood positioned immediately above (see fig. 4.1);
- if the hob is installed over a built-in oven, there must be a distance of at least 30 mm between the two appliances. The two appliances shall be connected to the gas / electrical supply with independent connections.



INSTALLATION IN KITCHEN CABINET WITH DOOR (fig. 4.3)

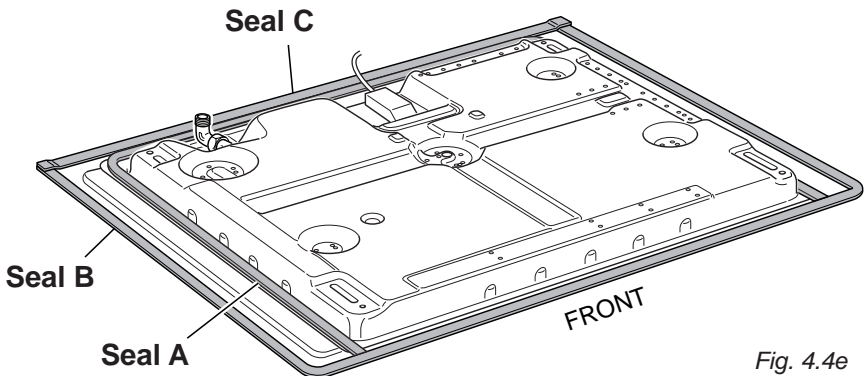
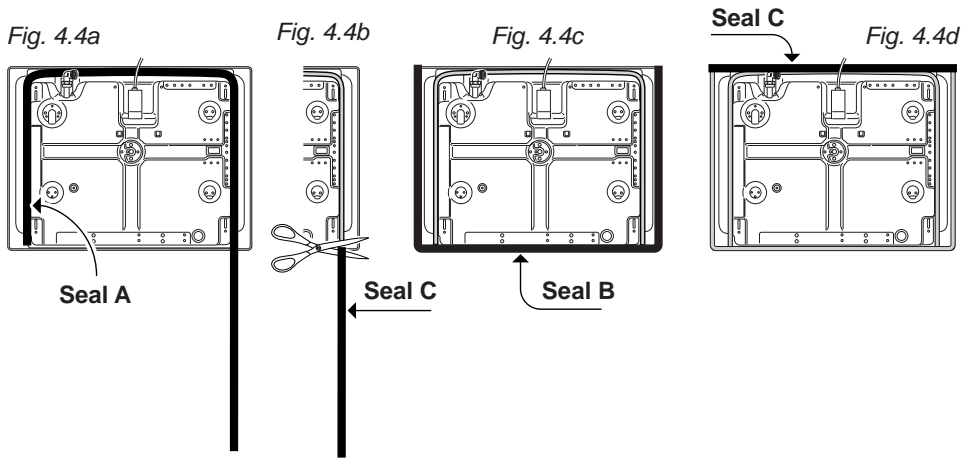
It is recommended that a 30 mm clearance be left between to base of the cooktop and the separator.

The separator shall be heat resistant, made of low thermal conductivity material and shall be removable with the use of a tool for installation and service.



APPLYING THE SEALS

- Turn the cooker top upside down.
- Spread the longer seal “A” around the left, rear and right sides as shown in figure 4.4a.
- With a cutter or a scissors cut the excess seal “C” and retain it for next use (figure 4.4b).
- Spread the seal “B” around the left, front and right edges of the cooker top as shown in figure 4.4c.
- Spread the seal “C” along the rear edge of the cooker top as shown in figure 4.4d. Making sure that the beginning and the end overlap at the seal “B” (see figure 4.4e).

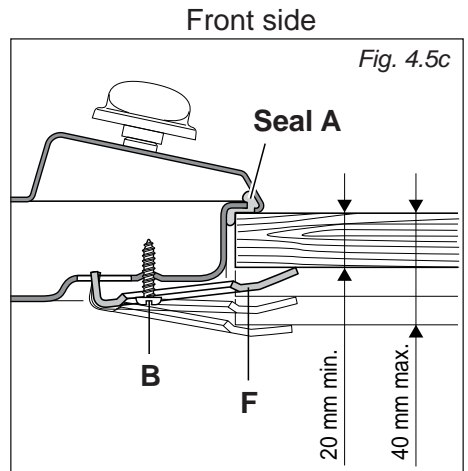
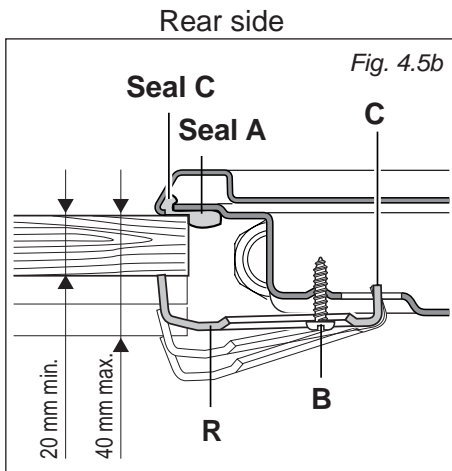
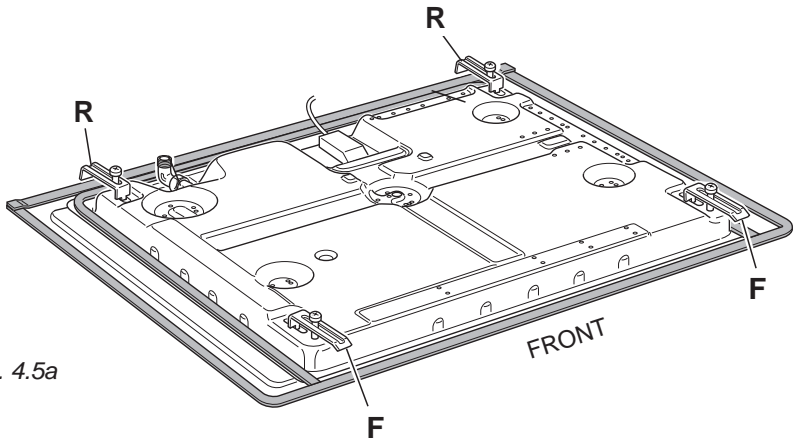


FASTENING THE INSTALLATION BRACKETS (figs. 4.5a, 4.5b, 4.5c)

- Each cooker top is provided with an installation kit including brackets and screws for fastening the top to fixture panels from 2 to 4 cm thick.
- Turn the cooker top upside down and fasten the brackets “F” and “R” to the appropriate socket holes, without tightening the screws “B” for the moment.
- Make sure that the brackets are fastened as shown in figures 4.5a, 4.5b and 4.5c.

FASTENING THE COOKER TOP (figs. 4.5a, 4.5b, 4.5c)

- Insert the cooker top into the hole and position it correctly.
- Adjust the position of the brackets “F” and “R” and tighten screws “B” to block the cooker top firmly in position.
- With a sharp cutter or trimmer knife trim the excess sealing material around the edge of the cooker top.



VENTILATION REQUIREMENTS

The appliance must be installed in compliance with applicable local regulations concerning ventilation and the evacuation of exhaust gases.

Intensive and prolonged use may require extra ventilation, e.g. opening a window, or more efficient ventilation increasing the mechanical suction power if this is fitted.

CHOOSING SUITABLE SURROUNDINGS

The room where the gas appliance is to be installed must have a natural flow of air so that the gas can burn (in compliance with applicable local regulations).

The flow of air must come directly from one or more openings made in the outside walls with a free area of at least 100 cm² (or refer to applicable local regulations).

The openings should be near the floor and preferably on the side opposite the exhaust for combustion products and must be made so that they cannot be blocked from either the inside or the outside.

When these openings cannot be made, the necessary air can come from an adjacent room which is ventilated as required, as long as it is not a bed room or a danger area (in compliance with applicable local regulations).

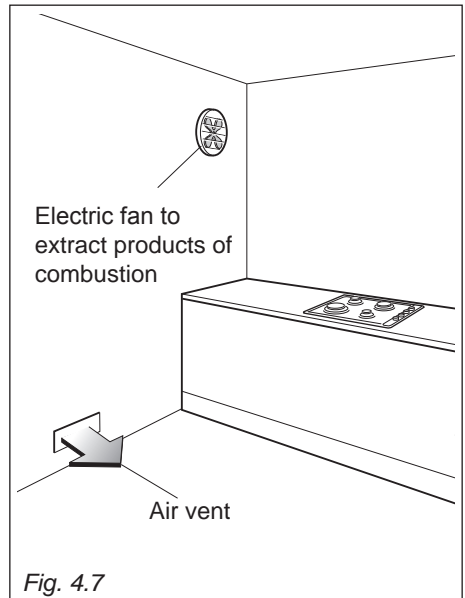
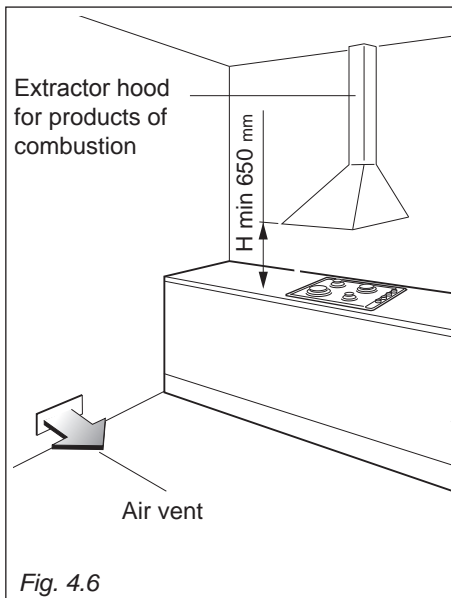
In this case, the kitchen door must allow the passage of the air.

DISCHARGING PRODUCTS OF COMBUSTION

Extractor hoods connected directly to the outside must be provided, to allow the products of combustion of the gas appliance to be discharged (fig. 4.6).

If this is not possible, an electric fan may be used, attached to the external wall or the window; the fan should have a capacity to circulate air at an hourly rate of 3-5 times the total volume of the kitchen (fig. 4.7).

The fan can only be installed if the room has suitable vents to allow air to enter, as described under the heading "Choosing suitable surroundings".



GAS INSTALLATION REQUIREMENTS

Important !

- Before installation, make sure that the local distribution conditions (gas type and pressure) and the adjustment of this appliance are compatible. The appliance adjustment conditions are given on the plate or the label.
- This appliance must be installed and serviced only by a suitably qualified, registered installer with technical knowledge of both gas installation and electricity. The installation or service must comply with the current editions of the applicable standards, regulations, and codes of practice governing gas and electrical installations.
- Failure to install the appliance correctly could invalidate any manufacturer's warranty.

This appliance is supplied for use on LPG.

It is adjusted for this gas only and cannot be used on any other gas (NATURAL or TOWN GAS) without modification.

The appliance is manufactured for conversion to NATURAL or TOWN GAS.

The NATURAL and TOWN GAS conversion kits are supplied with the appliance.

CONNECTING THE COOKTOP TO THE GAS SUPPLY

- The gas connection must be carried out by an authorised person according to the relevant local standards.
- Ensure that the room in which the cooktop is to be installed is adequately ventilated, in compliance with applicable regulations.
- **Note:** Connection to the gas supply may be made using either a rubber hose (where permitted) or by using a flexible hose or rigid pipe.

GAS CONNECTION WITH A RUBBER HOSE

Important !

A rubber hose connection shall only be made if permitted by the applicable local regulations.

The gas connection fitting (fig. 5.1) is made up of:

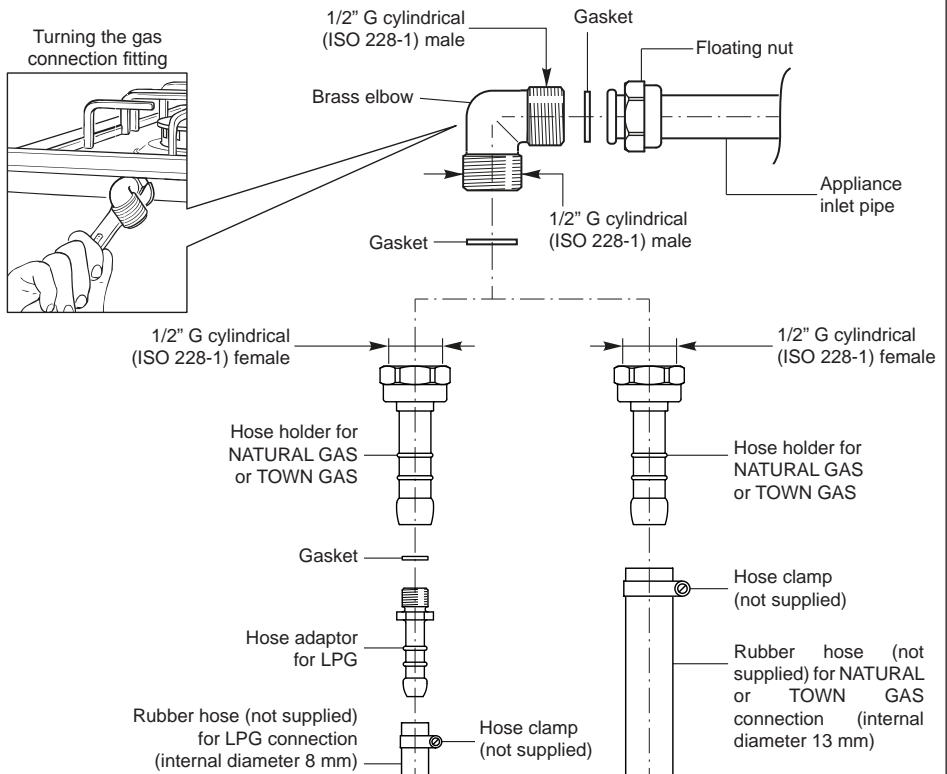
- the appliance inlet pipe;
- the floating nut;
- the brass elbow;
- the gaskets;
- the appropriate hose holder (for LPG or NATURAL GAS/TOWN GAS).

Fig. 5.1

Gas connection with rubber hose holder

Note: if not already fitted on the inlet pipe, the hose holder is supplied with the product in a separate kit; if not supplied with the appliance it can be purchased by contacting Customer Care.

(Important: to be used ONLY IF PERMITTED by the local applicable regulations)



Connecting the appliance to LPG

1. If not already fitted, fit the NATURAL/TOWN GAS hose holder on the inlet pipe, making sure that you place the sealing washer between them (as shown in fig. 5.1); then fit the LPG adaptor to the NATURAL/TOWN GAS hose holder, making sure that you place the sealing washer between them (as shown in fig. 5.1).

Important! The LPG hose holder is composed by NATURAL/TOWN GAS hose holder with LPG hose adaptor screwed at the bottom end (interposing the proper sealing washer between them).

2. Connect the appliance to the gas supply using a suitable rubber hose (internal diameter 8 mm).
The hose must comply with the applicable local regulations and be of the correct construction for the type of gas being used.
3. Make sure that the hose is tightly and securely fitted at both ends.
4. Use a standard hose clamp (not supplied) to fasten the hose.
5. Install a gas pressure regulator.

Important!

To comply with applicable local regulations, a gas pressure regulator (conforming to the local regulations in force) must be installed when connecting the appliance to an LPG cylinder.

Connecting the appliance to NATURAL or TOWN GAS

1. If not already fitted, fit the NATURAL/TOWN GAS hose holder on the inlet pipe, making sure that you place the sealing washer between them (as shown in fig. 5.1).
2. Connect the appliance to the gas supply using a suitable rubber hose (internal diameter 13 mm).
The hose must comply with the applicable local regulations and be of the correct construction for the type of gas being used.
3. Make sure that the hose is tightly and securely fitted at both ends.
4. Use a standard hose clamp (not supplied) to fasten the hose.

When connecting the appliance to the gas supply with a rubber hose, make sure that

- the hose is as short as possible, without twists or kinks.
- the hose is not longer than 750 mm (or refer to applicable local regulations) and does not come into contact with sharp edges, corners or moving parts, as these may cause abrasion. Use a single rubber hose only; never connect the appliance with more than one rubber hose.
- the hose is not under tension, twisted, kinked, or too tightly bent, neither while the appliance is in use nor while it is being connected or disconnected.
- the hose does not come into contact with any part of the appliance with a surface temperature of 70°C or above (or refer to applicable local regulations).
- the hose is not subject to excessive heat by direct exposure to flue products or by contact with hot surfaces.
- the hose can easily be inspected along its entire length to check its condition.
- the hose is replaced at the printed due date or if it shows signs of wear or damage, and replaced regardless of its condition after a maximum of three years.
- you inform the customer that the gas cylinder valve or the gas supply valve immediately by the appliance should be closed when the cooktop is not in use.
- you inform the customer that the hose should not be subjected to corrosion by acidic cleaning agents.

After connecting the appliance to the gas supply, make sure that you

- check that the connections are correctly sealed using a soapy solution, but never a naked flame.
- check whether the injectors are correct for the type of gas being used. If not, follow the instructions under “GAS MAINTENANCE”.
- replace the sealing washer/s on the slightest sign of deformation or imperfection. The sealing washer/s is/are the part/s which guarantee/s a good seal in the gas connection.

GAS CONNECTION WITH RIGID PIPES OR A FLEXIBLE HOSE

The gas connection fitting (fig. 5.2) is made up of:

- the appliance inlet pipe;
- the floating nut;
- the brass elbow;
- the gaskets.

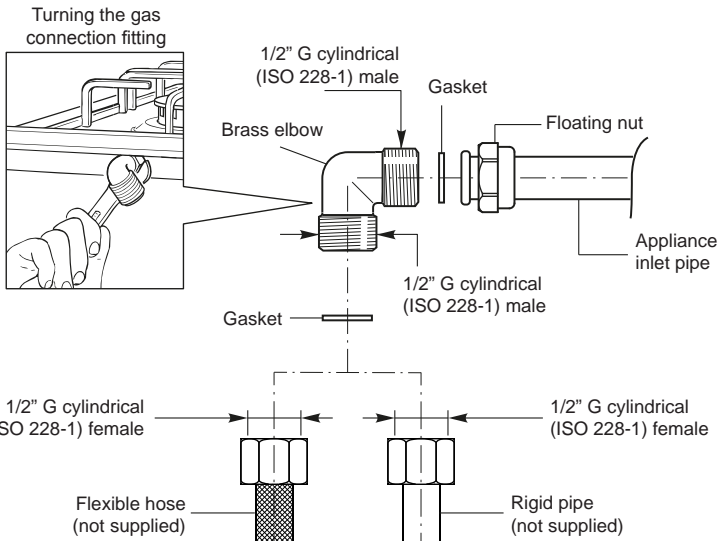
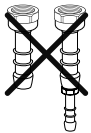
Important!

If fitted, remove the hose holder from the terminal fitting of the inlet pipe.

Fig. 5.2

Gas connection with rigid pipes or a flexible hose

Note: if already fitted on the inlet pipe, remove the rubber hose holder



When connecting the appliance to the gas supply with rigid pipes or a flexible hose, make sure that

- you use rigid pipes or a flexible hose complying with applicable local regulations. The flexible hose shall be of the correct construction for the type of gas being used and of the correct size to maintain the heat output of the appliance.
- the connection with rigid metal pipes does not cause stress or pressure to the gas piping.
- the flexible hose is not under tension, twisted, kinked or too tightly bent, neither while the appliance is in use nor while it is being connected or disconnected.
- the flexible hose does not exceed 2000 mm in length (or refer to applicable local regulations) and does not come into contact with sharp edges, corners or moving parts, as these may cause abrasion. Use a single flexible hose only; never connect the appliance with more than one flexible hose.
- the flexible hose can easily be inspected along its entire length to check its condition; if it has an expiry date, it should be replaced before that date.
- if using a flexible hose which is not entirely made of metal, make sure that it does not come into contact with any part of the cooktop with a surface temperature of 70°C or above (or refer to applicable local regulations).
- the flexible hose is not subject to excessive heat by direct exposure to flue products or by contact with hot surfaces.
- the rigid pipe or flexible hose is replaced if it shows signs of wear or damage.
- a gas pressure regulator, in compliance with the applicable local regulations, is installed when connecting to an LPG cylinder.
- the socket into which the plug of the flexible hose fit is permanently attached to a firmly fixed gas installation pipe and is positioned so that the hose hangs freely downwards.
- the plug of the flexible hose is accessible after installation, so that it can be disconnected for service or removal.
- you inform the customer that the cylinder valve or the supply valve immediately by the appliance should be closed when the cooktop is not in use.
- you inform the customer that the rigid pipe or flexible hose should not be subjected to corrosion by acidic cleaning agents.

After connecting the appliance to the gas supply, make sure that you

- check that the connections are correctly sealed using a soapy solution, but never a naked flame.
- check whether the injectors are correct for the type of gas being used. If not, follow the instructions under “GAS MAINTENANCE”.
- replace the sealing washer/s on the slightest sign of deformation or imperfection. The sealing washer/s is/are the part/s which guarantee/s a good seal in the gas connection.

TESTING OPERATION

The operation of the appliance **MUST** be tested before leaving.

Turn on the gas and light each burner. Check for a well-defined blue flame without any yellow tipping. If any abnormality is evident, check that the burner cap is located properly and the injector nipple is aligned correctly.

Check the minimum burner setting by quickly rotating the burner knobs from the maximum to the minimum position: the flame must not go out. If the adjustment is required, see section “SETTING THE MINIMUM OF THE COOKTOP BURNERS” following.

If satisfactory performance cannot be obtained, check the installation and notify the local gas supply authority of a gas supply problem, or if it is an appliance problem, Customer Care should be called to obtain the nearest authorised Service Agent.

GAS MAINTENANCE

TABLE FOR THE CHOICE OF THE INJECTORS Cat: III

BURNERS	Nominal Power [kW]	Reduced Power [kW]	LPG	Natural Gas	Town Gas
			G30 28 mbar	G20 18 mbar	G110 8 mbar
			∅ injector [1/100 mm]	∅ injector [1/100 mm]	∅ injector [1/100 mm]
Semirapid (SR)	1,75	0,45	65	97 (Z)	190 (2)
Rapid (R)	3,00	0,75	85	115 (Y)	300 (3)
Triple Ring (TR)	3,50	1,50	95	135 (T)	340 (6)

AIR VENT NECESSARY FOR GAS COMBUSTION = (2 m³/h x kW)

BURNERS	Air necessary for combustion [m ³ /h]
Semirapid (SR)	3,50
Rapid (R)	6,00
Triple Ring (TR)	7,00

LUBRICATION OF THE GAS TAPS

The operations must be executed by a qualified technician.

IMPORTANT: All intervention regarding installation maintenance and conversion of the appliance must be fulfilled with original factory parts.

The manufacturer declines any liability resulting from the non-compliance of this obligation.

REPLACEMENT OF THE INJECTORS

Select the injectors to be replaced according to the "TABLE FOR THE CHOICE OF THE INJECTORS".

The nozzle diameters, expressed in hundredths of a millimetre, are marked on the body of each injector.

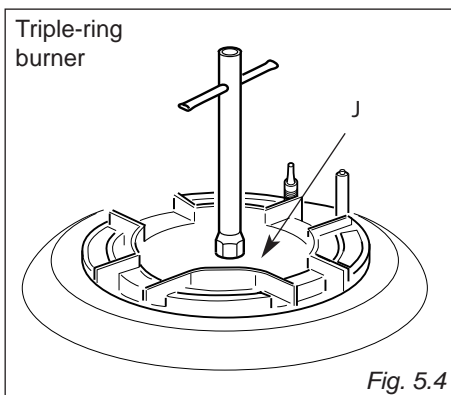
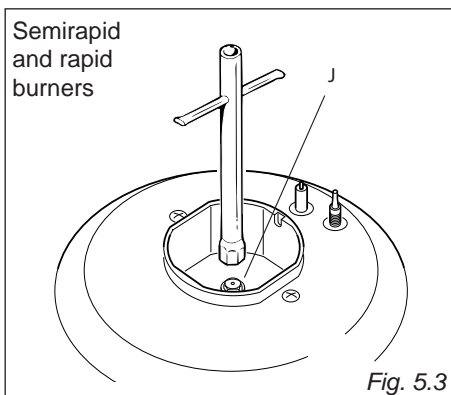
If the injectors are not supplied they can be obtained from the "Service Centre".

REPLACEMENT OF THE INJECTORS OF THE COOKTOP BURNERS

To replace the injectors proceed as follows:

- Remove pan supports and burners from the cooktop.
- Using a wrench, substitute the injectors "J" (figs. 5.3, 5.4) with those most suitable for the kind of gas for which it is to be used.

The burners are conceived in such a way so as not to require the regulation of the primary air.



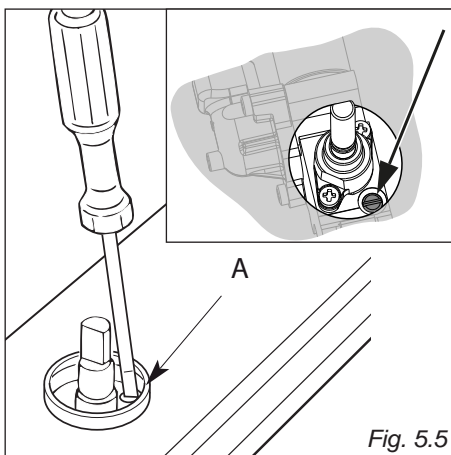
SETTING THE MINIMUM OF THE COOKTOP BURNERS

In the minimum position the flame must have a length of about 4 mm and must remain lit even with a quick turn from the maximum position to that of minimum.

The flame adjustment is done in the following way:

- Turn on the burner.
- Turn the tap to the 'MINIMUM' position.
- Take off the knob.
- With a small flat screwdriver turn the screw "A" to the correct regulation (fig. 5.5).

Normally for LPG tighten up the regulation screw.



6 ELECTRICAL SECTION

IMPORTANT: The appliance must be installed by a qualified technician according with the current local regulations and in compliance with the manufacturer instructions. Incorrect installation might cause harm and damage to people, animals or objects, for which the manufacturer accepts no responsibility.

Connection to a good earth wiring system is absolutely essential.

The manufacturer accepts no responsibility for any inconvenience caused by failure to comply with this rule.

Before carrying out any work on the electrical section of the appliance, it must be disconnected from the mains.

DETAILS

- Connection to the electric power supply must be carried out by a qualified technician and following the appropriate safety regulations;
- Before carrying out the connection to the power supply, the voltage rating of the appliance (stamped on the appliance identification plate) must be checked for correspondence to the available mains supply voltage, and the mains electric wiring should be capable of handling the hob's power rating (also indicated on the identification plate);
- If the hob is supplied without a power supply plug and therefore if you are not connecting directly to the mains, a standardized plug suitable for the load must be fitted.
- The power point must be connected to a suitable earth wiring, in conformity to current safety regulations.
- It is possible to connect the appliance directly to the mains supply by means of a heavy duty switch with 3 mm minimum distance between the contacts.
- The power supply cord must not touch against any hot surfaces and must be placed so that its temperature does not exceed 75°C at any point along its length.
- Once the appliance has been installed, the switch or socket must always be accessible.
- The appliance must have its own supply; any other appliances installed near it must be supplied separately.
- **N.B. For connections to the mains power supply, never use adapters, reductions or multiple power points as these may overheat and catch fire.**
- **If the hob surface is cracked disconnect the appliance from the mains and contact the After-Sales Service.**

In the event that installation should require modifications to the mains supply wiring system or if the power plug is not suitable for the type of power point available, it is recommended that a qualified technician be called to carry out substitution.

The technician will also have to verify that the cross-section of the electric cables on the power point match the appliance's power rating.

POWER SUPPLY CABLE

TYPE "H05V2V2-F"

(resistance to temperatures of 90°C)

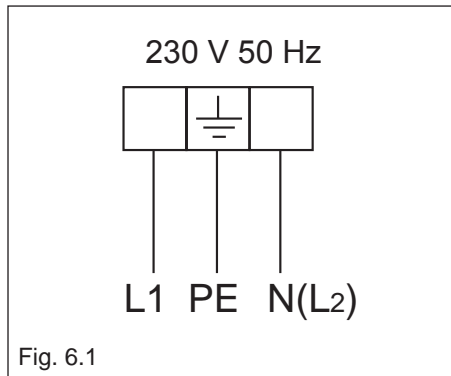
230 V 50 Hz 3 x 0,75 mm² (*) (**)

(*) Connection possible with plug and outlet

(**) Connection with wall box connection.

WARNING: If the power supply cable is damaged, it must be replaced only by an authorised service agent in order to avoid a hazard.

- The supply cable must be replaced with a cable of the same type.
- The electrical cable must be connected to the terminal board following the diagram of fig. 6.1.



The manufacturer cannot be held responsible for possible inaccuracies due to printing or transcription errors in the present booklet.

The manufacturer reserves the right to make all modifications to its products deemed necessary for manufacturer commercial reasons at any moment and without prior notice, without jeopardising the essential functional and safety characteristics of the appliances.

